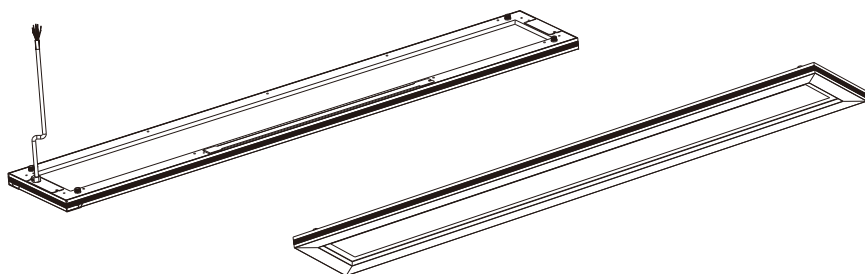
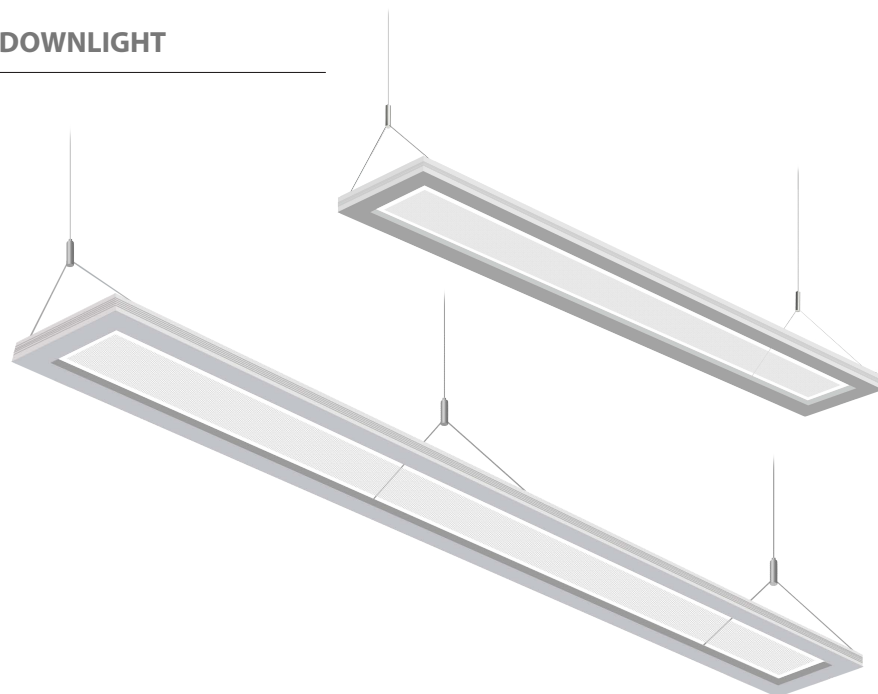


**WARNING:** RISK OF FIRE AND ELECTRICAL SHOCK. FIXTURE MUST BE INSTALLED BY A QUALIFIED ELECTRICIAN ONLY IN ACCORDANCE WITH NATIONAL, LOCAL BUILDING AND ELECTRICAL CODES. DISCONNECT POWER AT ELECTRICAL PANEL BEFORE SERVICING.

## 12112 INSTALLATION INSTRUCTIONS FOR: DEEP REGRESSED LED RECESSED DOWNLIGHT

Please read all instructions prior to installation and keep for future reference!

1. Carefully read and follow all instructions.
2. Ensure installation complies with national and local electrical codes.
3. This product should be installed and serviced by a licensed, qualified electrician.
4. Do not install in wet locations; suitable for dry and damp areas only.
5. Turn off electrical power before installation or servicing.
6. To minimize the risk of fire and overheating, ensure all connections are securely tightened.
7. Do not cover the lighting fixture with heat insulation gaskets or similar materials under any circumstances.
8. Seamless continue runs per power feed:
  - a. 40W: Up to 10pcs in 120V AC, 20pcs in 230V AC and 25pcs in 277V AC
  - b. 54W: Up to 8pcs in 120V AC, 15pcs in 230V AC and 18pcs in 277V AC
  - c. 80W: Up to 5pcs in 120V AC, 10pcs in 230V AC and 12pcs in 277V AC



**ATTENTION**



**SHOCK HAZARD!**  
May result in serious injury or death.  
Turn power OFF at circuit breaker prior to installation or servicing.



Once final building cleanup has been completed, remove remaining lens protective film.

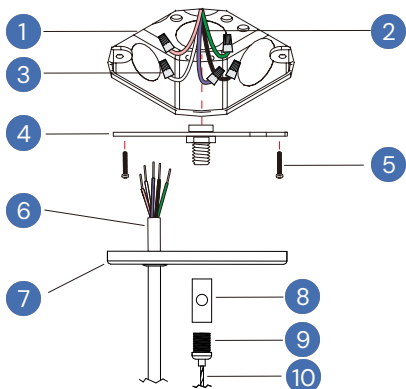
**WIRING**

		LUMINAIRE	
—	LINE	●	LINE-BLACK
—	GREEN	●	GROUND-GREEN
—	NEUTRAL	●	NEUTRAL-WHITE
—	DIM (+) VIOLET	●	VIOLET
—	DIM (-) PINK	●	PINK

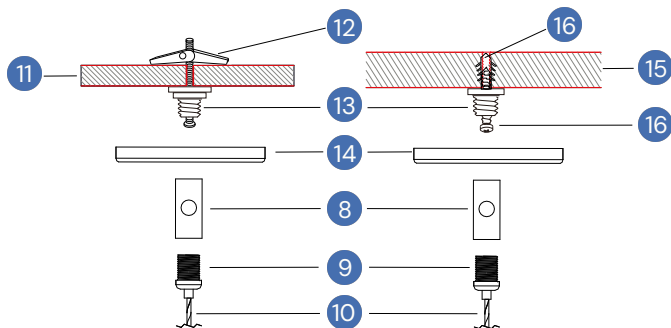
**WARNING:** RISK OF FIRE AND ELECTRICAL SHOCK. FIXTURE MUST BE INSTALLED BY A QUALIFIED ELECTRICIAN ONLY IN ACCORDANCE WITH NATIONAL, LOCAL BUILDING AND ELECTRICAL CODES. DISCONNECT POWER AT ELECTRICAL PANEL BEFORE SERVICING.

## Hard Dry Wall Ceiling | PENDANT LED

### POWER FEED

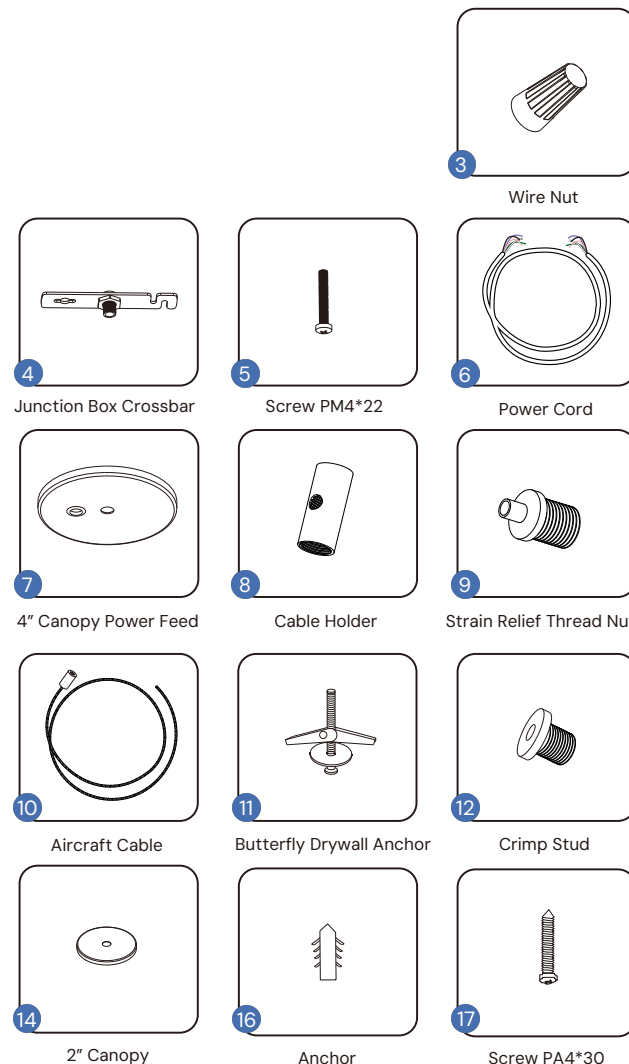


### NON POWER SUSPENSION



### PARTS LIST

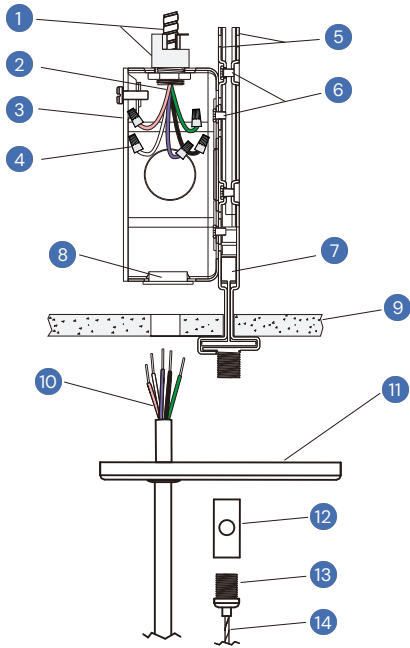
- 1 4" Octagon Junction Box (By Others)
- 2 Power Cord (By Others)
- 3 Wire Nut
- 4 Junction Box Crossbar
- 5 Screw PM4\*22
- 6 Power Cord
- 7 4" Power Canopy Kit
- 8 Cable Holder
- 9 Strain Relief Thread Nut
- 10 Aircraft Cable
- 11 Drywall Ceiling (By Others)
- 12 Butterfly Drywall Anchor
- 13 Crimp Stud
- 14 2" Canopy
- 15 Solid Ceiling (By Others)
- 16 Anchor
- 17 Screw PA4\*30



**WARNING:** RISK OF FIRE AND ELECTRICAL SHOCK. FIXTURE MUST BE INSTALLED BY A QUALIFIED ELECTRICIAN ONLY IN ACCORDANCE WITH NATIONAL, LOCAL BUILDING AND ELECTRICAL CODES. DISCONNECT POWER AT ELECTRICAL PANEL BEFORE SERVICING.

## Grid Ceiling | PENDANT LED

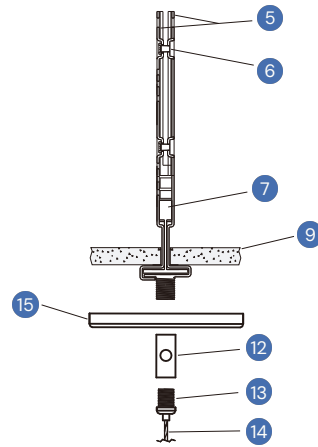
### POWER FEED



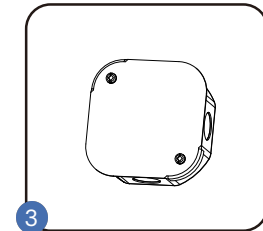
### PARTS LIST

- 1 Armored Cable & Connector (By Others)
- 2 Power Cord (By Others)
- 3 4" Octagon Junction Box
- 4 Wire Nut
- 5 Assembled T-grid Clips
- 6 Screw 6#\*4
- 7 T-grid (By Others)
- 8 Plastic Grommet

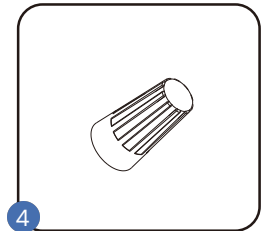
### NON POWER SUSPENSION



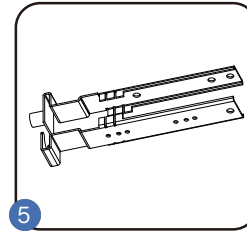
- 9 Ceiling Tile (By Others)
- 10 Power Cord
- 11 4" Canopy Power Feed
- 12 Cable Holder
- 13 Strain Relief Thread Nut
- 14 Aircraft Cable
- 15 2" Canopy



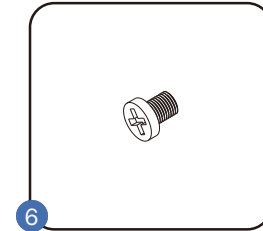
3 4" Octagon Junction Box



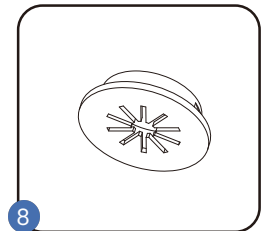
4 Wire Nut



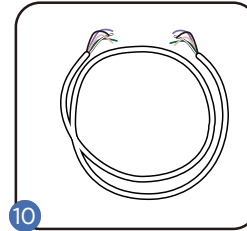
5 Assembled T-grid Clips



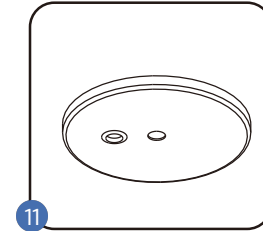
6 Screw 6#\*4



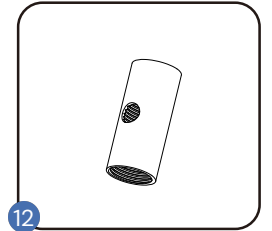
8 Plastic Grommet



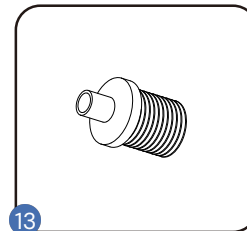
10 Power Cord



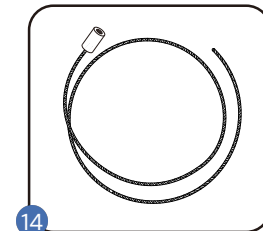
11 4" Canopy Power Feed



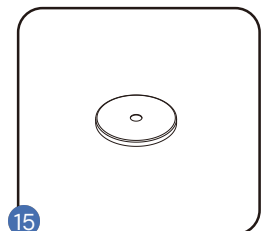
12 Cable Holder



13 Strain Relief Thread Nut



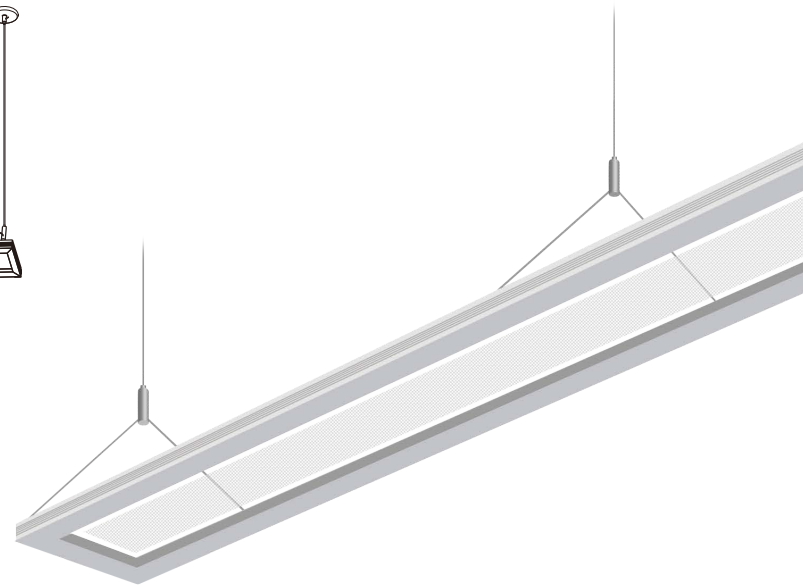
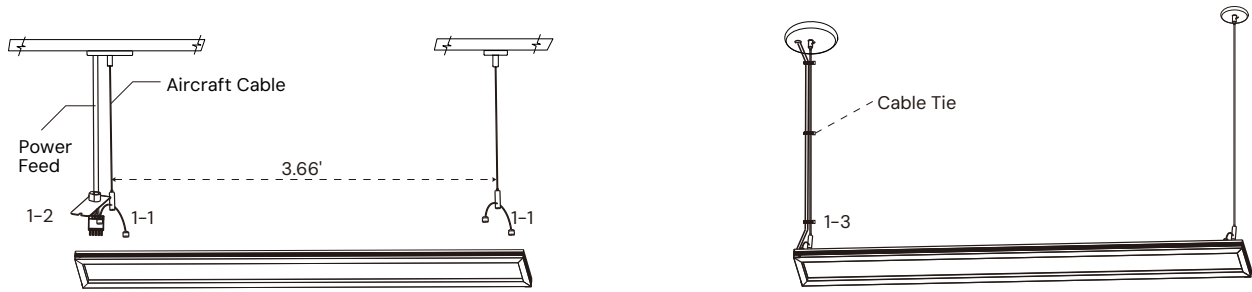
14 Aircraft Cable



15 2" Canopy

**WARNING:** RISK OF FIRE AND ELECTRICAL SHOCK. FIXTURE MUST BE INSTALLED BY A QUALIFIED ELECTRICIAN ONLY IN ACCORDANCE WITH NATIONAL, LOCAL BUILDING AND ELECTRICAL CODES. DISCONNECT POWER AT ELECTRICAL PANEL BEFORE SERVICING.

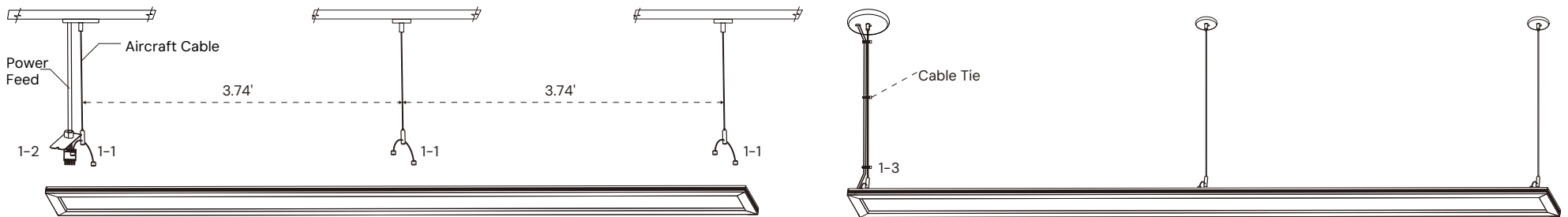
## INDEPENDENT PENDANT LED



- 1-1: Screw aircraft cables clockwise on the top of luminaire.
- 1-2: Connect the quick connectors properly.
- 1-3: Zip tight power cord & aircraft suspension cable with the cable tie if needed.

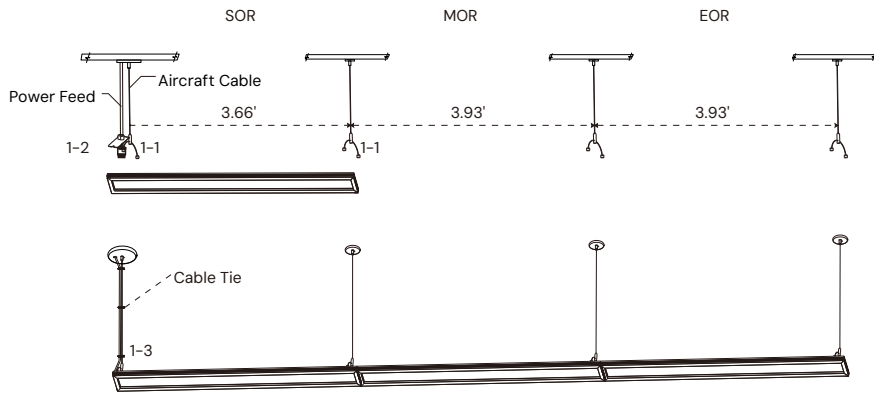
**!** To adjust the luminaire height:

- To raise the luminaire, pull the cable through the gripper.
- To lower it, press the top cylinder on the gripper while gently pulling the luminaire downward.



**WARNING:** RISK OF FIRE AND ELECTRICAL SHOCK. FIXTURE MUST BE INSTALLED BY A QUALIFIED ELECTRICIAN ONLY IN ACCORDANCE WITH NATIONAL, LOCAL BUILDING AND ELECTRICAL CODES. DISCONNECT POWER AT ELECTRICAL PANEL BEFORE SERVICING.

## 4' UP/DOWN LUMINAIRE



## Hang Luminaires

- 1-1: Screw aircraft cables clockwise on the top of luminaires. 1-2: Connect the quick connectors properly.
- 1-3: Zip tight power cord & aircraft suspension cable with the cable tie if needed.

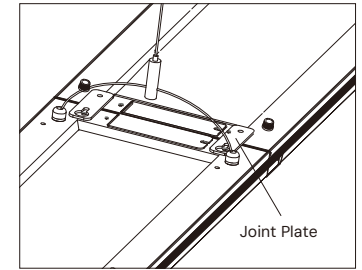
**⚠ To adjust the luminaire height:**

- To raise the luminaire, pull the cable through the gripper.
- To lower it, press the top cylinder on the gripper while gently pulling the luminaire downward.

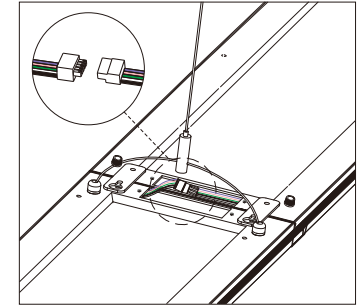
## Seamless Continue Runs Per Power Feed:

- 40W: Up to 10pcs in 120V AC, 20pcs in 230V AC and 25pcs in 277V AC
- 54W: Up to 8pcs in 120V AC, 15pcs in 230V AC and 18pcs in 277V AC
- 80W: Up to 5pcs in 120V AC, 10pcs in 230V AC and 12pcs in 277V AC

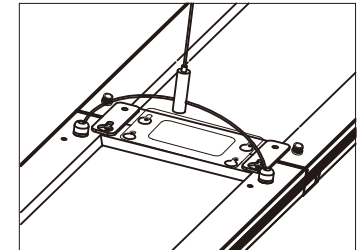
## Joint Steps



**① Joint two luminaires together by mounting the Joint plate on the both sides as shown.**



**② Remove the existing covers, then connect the quick connectors properly.**



**③ Mount the joint cover by screw.**

## 8' UP/DOWN LUMINAIRE

